



## Alfa Laval FM-OS

### Centrifugal pumps

#### Introduction

The Alfa Laval FM-OS Centrifugal Pump is a small, economical pump engineered to handle low volumes in hygienic applications.

#### Applications

The FM-OS Centrifugal Pump is designed for use in processes that require the use of acid-resistant steel in hygienic applications across the food, dairy, beverage and other industries.

The FM-OS pump can handle capacities up to 30 m<sup>3</sup>/h and differential pressures up to 2 bar at 50Hz.

#### Benefits

- Reliable and cost-effective transfer of acidic products.
- Handles low capacities with ease.
- Corrosion resistance for use in aggressive environments.

#### Standard design

The Alfa Laval FM-OS Centrifugal Pump consists of a W. 1.4404 (AISI 316L) pump casing, shaft and impeller; stainless steel screws, nuts, yoke and adapter for pump casing.

As standard, the FM-OS pump is equipped with a single mechanical shaft seal, but is also available with a single flushed mechanical shaft seal.



## TECHNICAL DATA

### Motor

Standard foot-flanged motor acc. to IEC metric standard, 2 pol = 3000/3600 rpm. at 50/60 Hz, IP55 (with drain holes with labyrinth plug), insulation class F.

### Motor size

50 Hz:	1.1 kW.
60 Hz:	1.1 kW.

## OPERATING DATA

### Pressure

Max. inlet pressure:	400kPa (4 bar).
Max. outlet pressure:	700kPa (7 bar).
Max. water pressure, (flushed seal):	Normally atmospheric (max. 1 bar)

### Temperature

Temperature range:	-10°C to +140°C (EPDM).
--------------------	-------------------------

### Water consumption

Flushed seal:	0.25 - 0.5 l/min.
---------------	-------------------

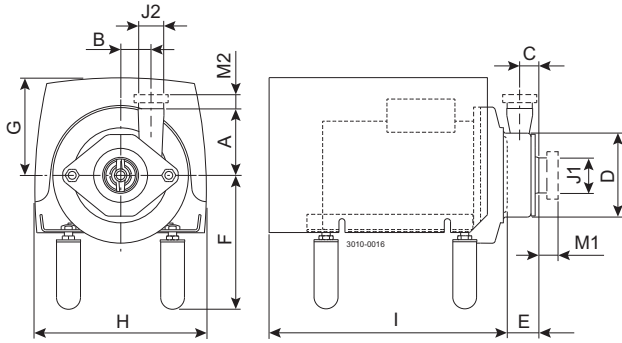
### Impeller diameter

Impeller diameter:	115 mm.
--------------------	---------

### Weight

Weight:	20 kg.
---------	--------

## Dimensions (mm)



### Pump specific measures

Pump Model	FM0S
A	98
B	45
C	28
D	140
E	54

### Motor specific measures

Motor IEC	IEC80
Motor kW	1.1
F(max)*	212
G	144
H	252
I	341

\*Possible to reduce dimension F by min. 30 mm for all pump models.

### Motor overview

Pump Model	FM0S
Motor range (IEC)	IEC80

Dimensional data are based on 2 pole, ABB motors.

### Connections

Pump Model	FM0S	
Clamp ISO 2037	M1	21
	M2	21
Union ISO(IDF)	M1	21
	M2	21
Union DIN/ISO	M1	22
	M2	22
Union SMS	M1	20
	M2	20
Union (BS)RJT	M1	22
	M2	22
J1*	51 / 2"	
J2*	51 / 2"	

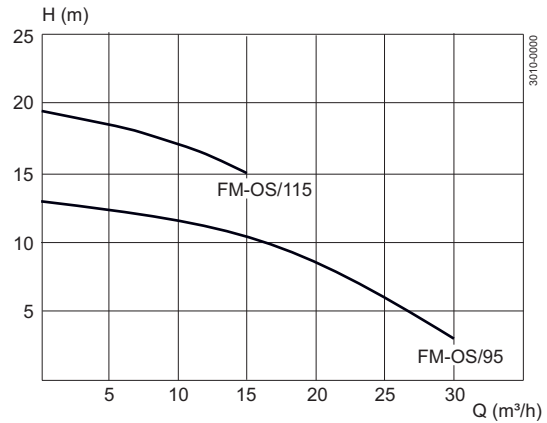
\* Other dimensions available on request.

ESE00271/4

### Options

- A. Impeller with reduced diameter.
- B. Flushed shaft seal.
- C. Other voltage or frequency.
- D. Inlet and outlet with flanges.
- E. Product wetted seals of EPDM, FPM or FEP.
- F. Rotating seal ring of Silicon Carbide.

## Volumetric flow



### Ordering

Please state the following when ordering:

- Pump type.
- Voltage and frequency.
- Flow rate, pressure and temperature.
- Density and viscosity of product.
- Options.

### NOTE!

For further details, see also instruction IM 70344.

Inlet and outlet: 51 mm

Alfa Laval reserves the right to change specifications without prior notification.

---

**How to contact Alfa Laval**

Contact details for all countries  
are continually updated on our website.  
Please visit [www.alfalaval.com](http://www.alfalaval.com) to  
access the information direct.