



Alfa Laval GM and GM-A

Centrifugal pumps

Introduction

The Alfa Laval GM and GM-A Centrifugal Pumps are small, economical pumps engineered to handle low volumes in hygienic applications.

Applications

The GM and GM-A Centrifugal Pumps are designed for use in processes that require the use of acid-resistant steel in hygienic applications across the food, dairy, beverage and other industries.

The GM and GM-A pumps can handle capacities up to 15 m³/h and differential pressures up to 2 bar at 50Hz.

Benefits

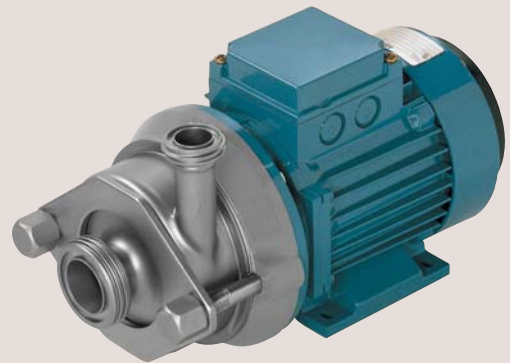
- Reliable and cost-effective transfer of acidic products.
- Handles low capacities with ease.
- Corrosion-resistant for use in aggressive environments.

Standard design

The GM centrifugal pump consists of a W. 1.4404 (AISI 316L) pump casing and shaft; glass fibre-reinforced nylon impeller; stainless steel stud bolts and nuts for pump casing; and, plastic adapter and collets.

The GM-A centrifugal pump consists of a W. 1.4404 (AISI 316L) pump casing, shaft and impeller, stainless steel nuts, yoke and adapter for pump casing.

Both are equipped with a single mechanical seal.



TECHNICAL DATA

Motor

Standard foot-flanged motor acc. to IEC metric standard, 2 pol = 3000/3600 rpm. at 50/60 Hz, IP55 (with drain holes with labyrinth plug), insulation class F.

Motor size

50 Hz: 0.55 kW.

OPERATING DATA

Pressure

Max. inlet pressure: 400 kPa (4 bar).

Temperature range

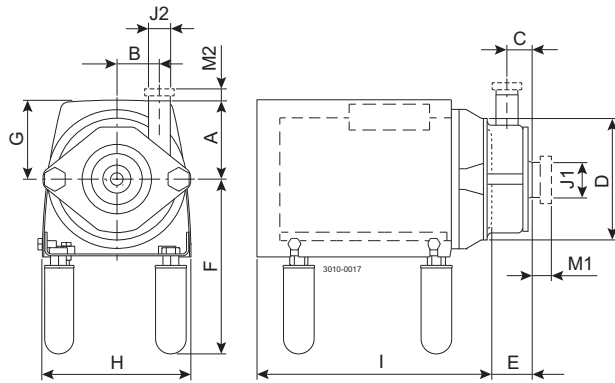
GM: -10°C to +80°C

GM-A: -10°C to +140°C (EPDM)

Impeller diameter

Impeller diameter: 115 mm.

Dimensions (mm)



Pump specific measures

Pump Model	GM
A	90
B	49
C	31
D	140
E	58

Motor specific measures

Motor IEC	IEC71
Motor kW	0.55
F(max)*	202
G	111
H	173
I	256

*Possible to reduce dimension F by min. 30 mm for all pump models.

Motor overview

Pump Model	GM
Motor range (IEC)	IEC71

Dimensional data are based on 2 pole, ABB motors.

Connections

Pump Model	GM	
Clamp ISO 2037	M1	12
	M2	12
Union ISO(IDF)	M1	23
	M2	21
Union DIN/ISO	M1	22
	M2	22
Union SMS	M1	23
	M2	20
Union (BS)RJT	M1	19
	M2	19
J1*	38 / 1.5"	
J2*	38 / 1.5"	

* Other dimensions available on request.

ESE00272/5

Options

- A. Impeller with reduced diameter.
- B. Inlet and outlet with flanges.
- C. Product wetted seals of EPDM, FPM or NBR.
- D. Rotating seal ring of Silicon Carbide.

Ordering

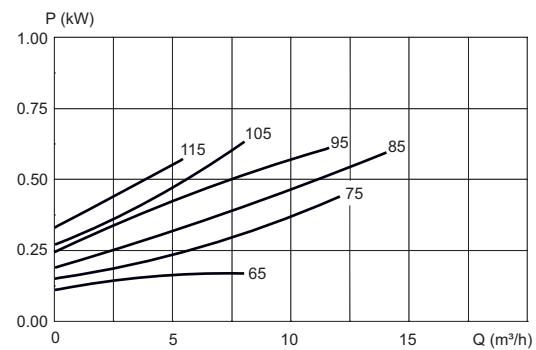
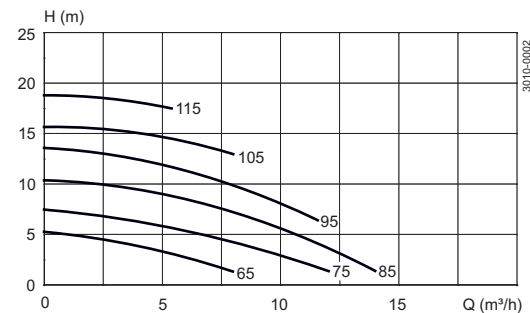
Please state the following when ordering:

- Pump type.
- Connections.
- Voltage and frequency.
- Flow rate, pressure and temperature.
- Density and viscosity of product.
- Options.

Note!

For further details see also instruction ESE02002.

Volumetric flow



Alfa Laval reserves the right to change specifications without prior notification.

How to contact Alfa Laval

Contact details for all countries
are continually updated on our website.
Please visit www.alfalaval.com to
access the information direct.